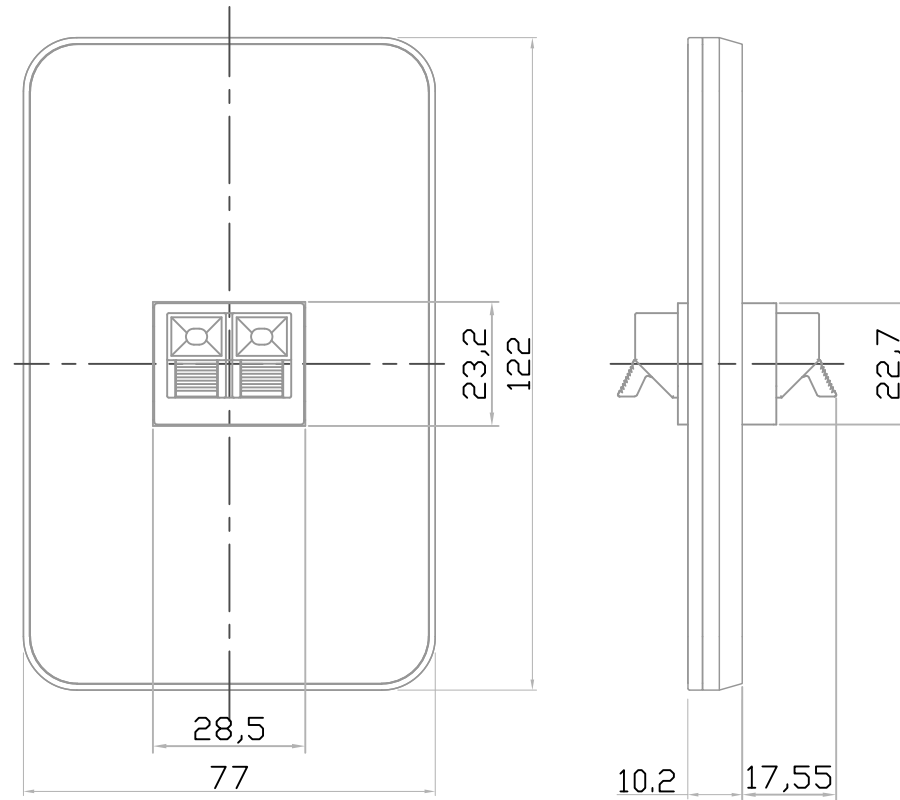


No	PART NO	DESCRIPTION	DIMENSION	MATERIAL	Q'TY	REMARK
1	외형도				1	



No	REV	DATE	REV	SUBSTANCE	DSND BY	CHKD BY	APPD BY
△							
△							
△							

SCALE	1/1	PRO-	3 rd	TITLE	Pione 오디오2P1구 조립도
DATE	2020.10.28	UNIT	mm		
DSND. BY		CHKD. BY	APPD. BY		
				Rated(A.V)	
파나소닉신동아(주)				Part No.	